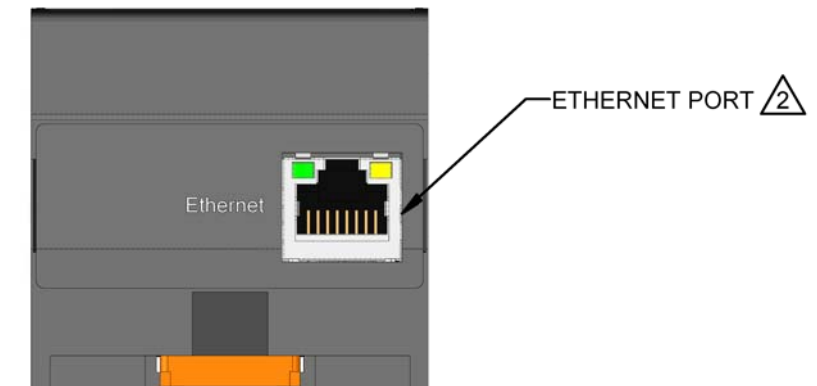
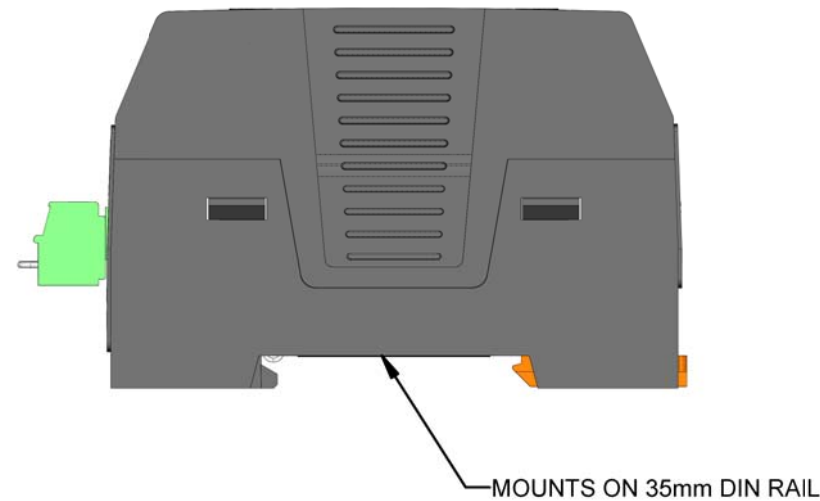
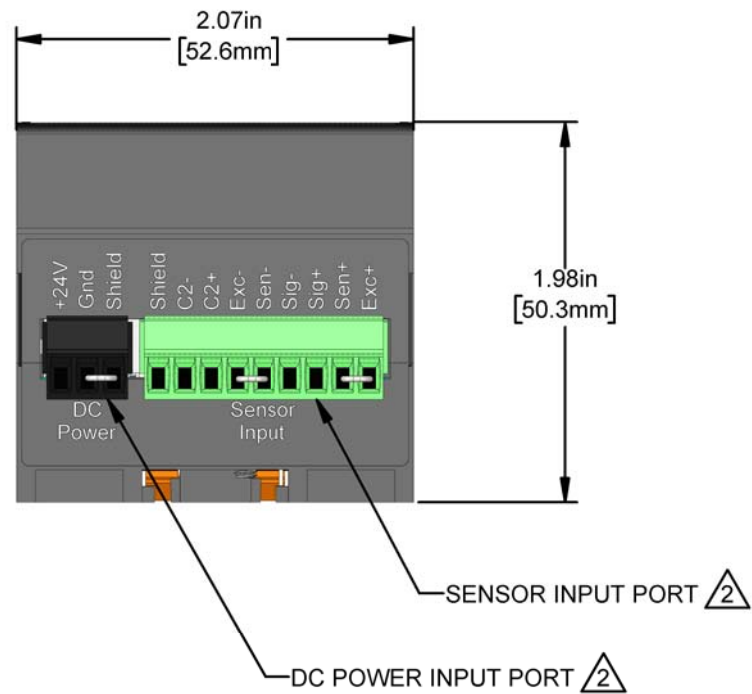
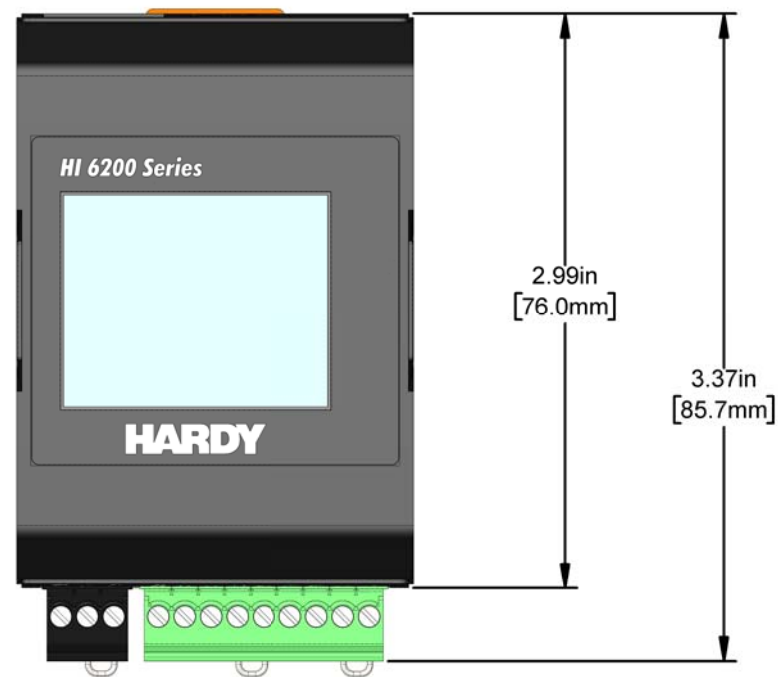


# HI6200-WP-10-EIP-000 SINGLE CHANNEL WEIGHT PROCESSOR

REV.	ECO/DDC	DESCRIPTION	DATE	DRAFT	CHECK	APVD
A	---	RELEASED	04-26-19	V.J.C.	J.I.	V.J.C.



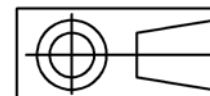
3. IF THE HI 6200 INSTRUMENT IS USED IN A MANNER NOT SPECIFIED BY HARDY PROCESS SOLUTIONS, THE PROTECTION PROVIDED BY THE INSTRUMENT MAY BE IMPAIRED.

2 SEE SHEET 2 FOR USER INTERFACE CONNECTIONS.

1. SEE HARDY PROCESS SOLUTIONS WEB SITE FOR ADDITIONAL MOUNTING AND WIRING INFORMATION.

## NOTES: UNLESS OTHERWISE SPECIFIED

**PROPRIETARY NOTICE**  
 ALL DATA AND INFORMATION CONTAINED IN OR DISCLOSED BY THIS DOCUMENT IS CONFIDENTIAL AND PROPRIETARY INFORMATION OF HARDY PROCESS SOLUTIONS AND ALL RIGHTS THEREIN ARE EXPRESSLY RESERVED. BY ACCEPTING THIS MATERIAL THE RECIPIENT AGREES THAT THIS MATERIAL AND THE INFORMATION CONTAINED THEREIN IS HELD IN CONFIDENCE AND IN TRUST AND SHALL NOT BE USED, COPIED, REPRODUCED IN WHOLE OR IN PART, NOR ITS CONTENTS REVEALED IN ANY MANNER TO OTHERS, EXCEPT TO MEET THE SPECIFIC PURPOSE FOR WHICH IT WAS DELIVERED.

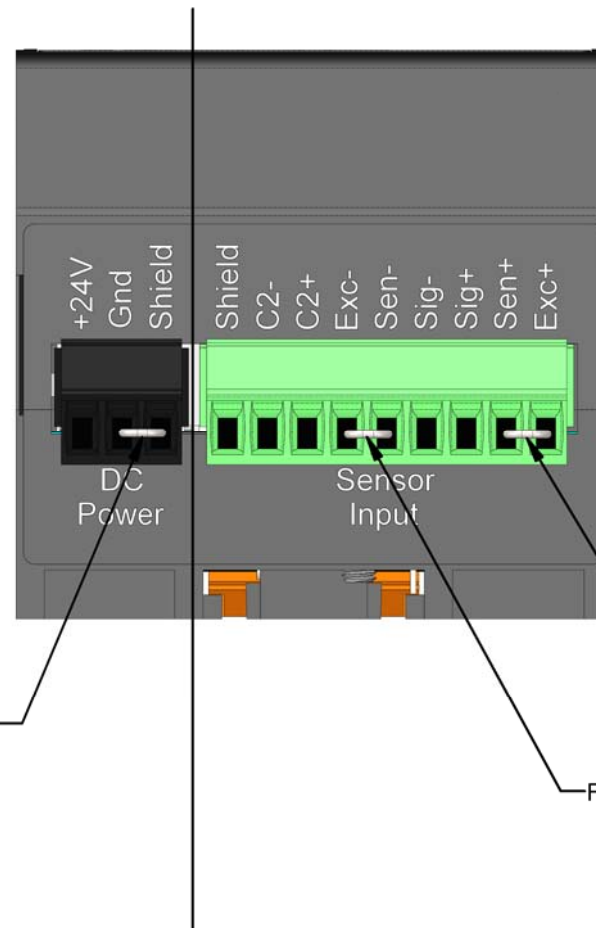


ITEM	QTY	0584-0107	INSTALLATION/INTERCONNECTION DIAGRAM, HI6200-WP-10-EIP-000	SEE NOTES
		DESCRIPTION		COMMENTS
PARTS LIST				
UNLESS OTHERWISE SPECIFIED DIMENSIONS ARE IN INCHES TOLERANCES ARE: FRACTIONS: N/A DECIMALS: .XX = ±.03 .XXX = ±.010 ANGLES ±0°, 30°		CONTRACT NO.		
MATERIAL		APPROVALS		
FINISH		DRAWN V. CHULA		
DO NOT SCALE DRAWING		CHECKED J. IBARRA		
		APPROVED V. CHULA		
		ISSUED V. CHULA		TITLE <b>INSTALLATION/INTERCONNECTION DIAGRAM, HI6200-WP-10-EIP-000</b>
		PRODUCTION		DATE 12-21-18 04-26-19 04-26-19 04-26-19
SIZE	FSCM	DRAWING NO.		REV.
D	21316	0584-0107		A
FILE NAME: 584107A1.SLDDRW		SCALE: NONE		SHEET 1 OF 2

## POWER INPUT TERMINATIONS

### NOTES:

1. CLASS 2 INPUT VOLTAGE RANGE [24VDC NOMINAL]:  
24 VDC, 2.5 WATTS NOMINAL
2. TERMINAL BLOCK WIRE SIZE RANGE: 16 AWG MAXIMUM / 28 AWG MINIMUM.  
WIRE TEMPERATURE RATING TO BE 90 DEGREES C.  
WIRE TIGHTENING TORQUE: 1.9 LB-IN / 2.2 LB-IN [0.22 Nm / 0.25 Nm].



FACTORY INSTALLED JUMPER BETWEEN "Gnd" AND "Shield"

FACTORY INSTALLED JUMPER BETWEEN "Sen-" AND "Exc+"

FACTORY INSTALLED JUMPER BETWEEN "Exc-" AND "Sen-"

## WEIGH SCALE SENSOR INPUT TERMINATIONS

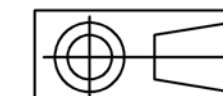
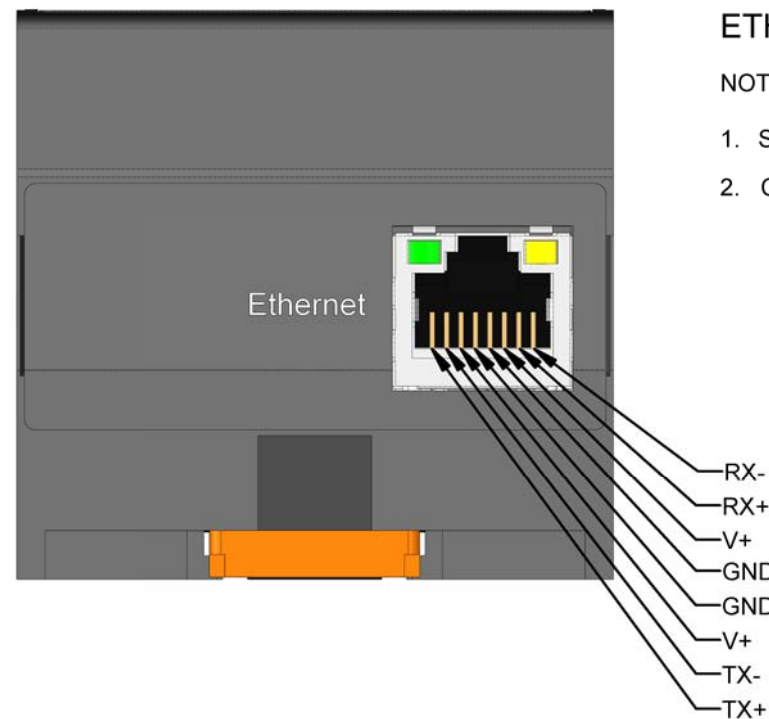
### NOTES:

1. IF CONDUIT IS USED, DO NOT RUN LOAD CELL CABLE PARALLEL TO, OR IN SAME CONDUIT WITH, POWER WIRING, RELAY CABLE OR OTHER HIGH ENERGY CABLES.
2. FACTORY INSTALLED JUMPERS TO REMAIN IN PLACE ONLY FOR FOUR WIRE NON C2 LOAD CELL CONNECTION. JUMPERS TO BE REMOVED FOR SIX WIRE NON C2 OR EIGHT WIRE C2 LOAD CELL CONNECTIONS. EXCITATION AND SENSE WIRES TO BE CONNECTED TOGETHER IN JUNCTION BOX.
3. REQUIRED LOAD CELL CABLE FOR C2 SECOND GENERATION CALIBRATION SYSTEM AND INTEGRATED TECHNICIAN: HARDY PROCESS SOLUTIONS P/N 6020-0001-0.
4. SEE USER'S GUIDE FOR ADDITIONAL INFORMATION ON LOAD CELL CONNECTIONS. USER'S GUIDE IS LOCATED ON HARDY PROCESS SOLUTIONS WEB SITE.
5. TERMINAL BLOCK WIRE SIZE RANGE: 16 AWG MAXIMUM / 28 AWG MINIMUM.  
WIRE TEMPERATURE RATING TO BE 90 DEGREES C.  
WIRE TIGHTENING TORQUE: 1.9 LB-IN / 2.2 LB-IN [0.22 Nm / 0.25 Nm].

## ETHERNET TERMINATION

### NOTES:

1. SEE USER'S GUIDE FOR ADDITIONAL INFORMATION ON ETHERNET TERMINATIONS.
2. CONNECTOR TYPE: RJ-45, 8 PIN.



<b>HARDY</b> PROCESS SOLUTIONS			
TITLE INSTALLATION/INTERCONNECTION DIAGRAM, HI6200-WP-10-EIP-000			
SIZE	FSCM	DRAWING NO.	REV.
D	21316	0584-0107	A
FILE NAME: 584107A1.SLDDRW		SCALE: NONE	SHEET 2 OF 2